  
**TOLERANCES TYP.**  
 LINEAR +/- 0.5mm  
 ANGULAR +/- 0.5°  
 ALL DIMENSIONS IN MILLIMETRES  
 UNLESS NOTED OTHERWISE.  
 DO NOT SCALE FOR CONSTRUCTION PURPOSES.

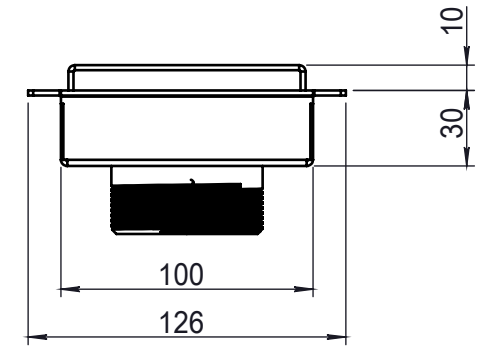
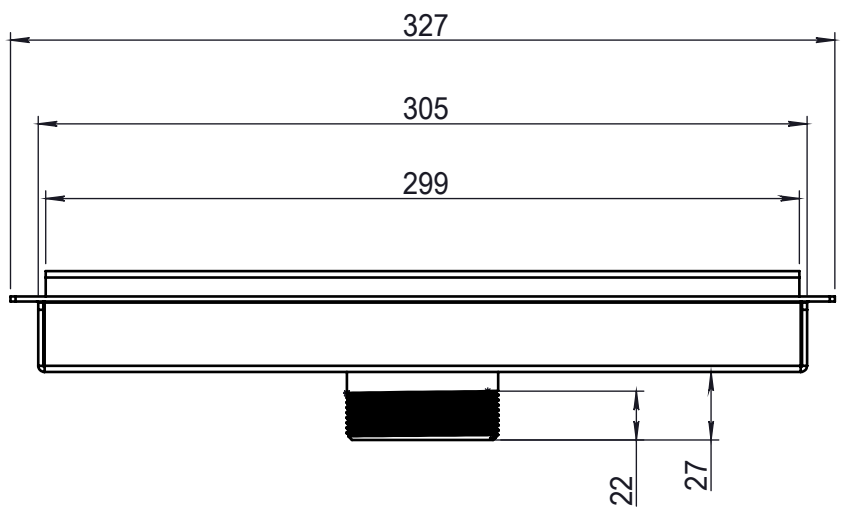
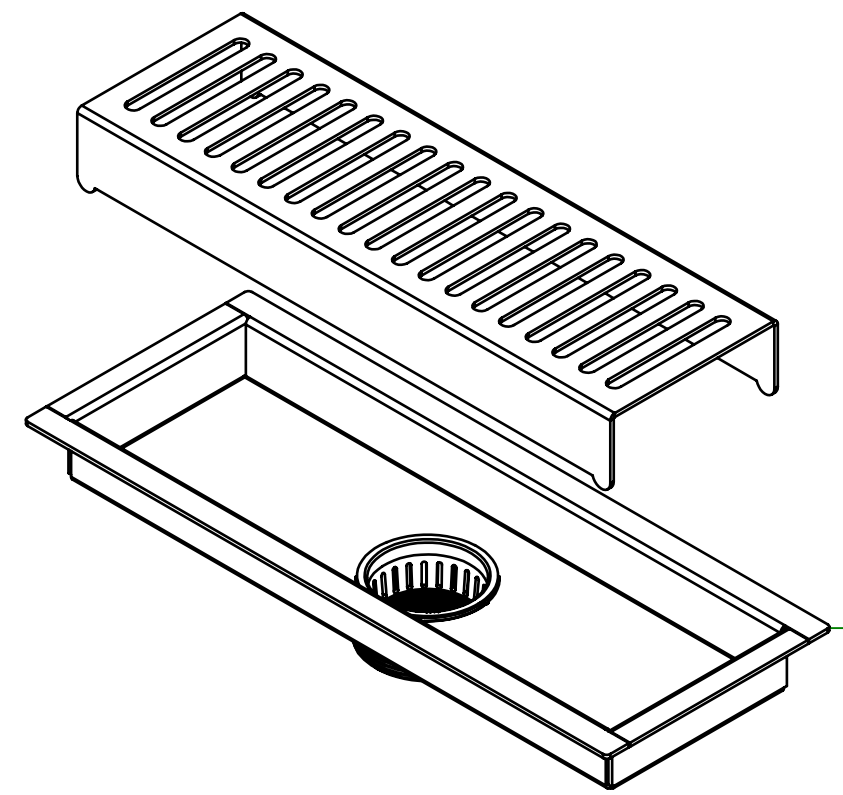
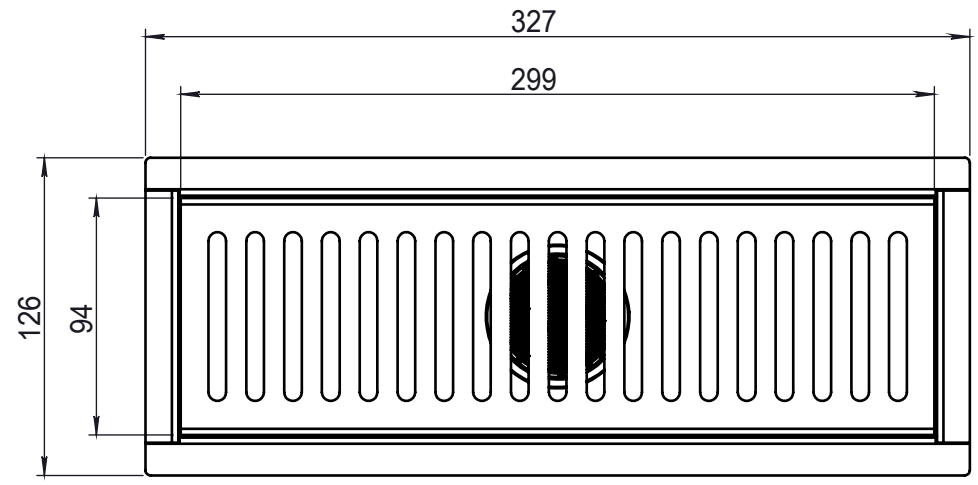
  
 13 SLATER PDE KEILOR EAST VIC3033  
 Tel.(03)9336 0155 Fax.(03)9336 0156

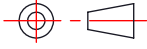
DESIGNED LUCKY	DATE 2012/10/14
DRAWN LUCKY	SHEET SIZE A4
CHECKED JINF	SCALE 1:9

**A SERIES LID PATTERNS**

PROJECT No.	SHEET No. 1 OF 1	REVISION
-------------	---------------------	----------

REV No.	REVISION NOTE	DATE



  
**TOLERANCES TYP.**  
 LINEAR +/- 0.5mm  
 ANGULAR +/- 0.5°  
 ALL DIMENSIONS IN MILLIMETRES  
 UNLESS NOTED OTHERWISE.  
 DO NOT SCALE FOR CONSTRUCTION  
 PURPOSES.



13 SLATER PDE KEILOR EAST VIC3033  
 Tel.(03)9336 0155 Fax.(03)9336 0156

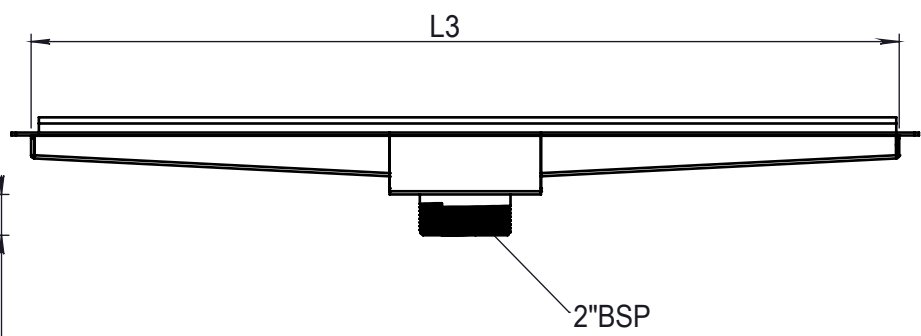
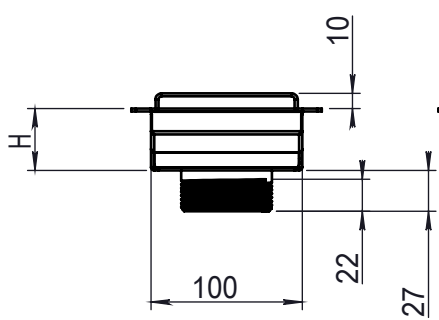
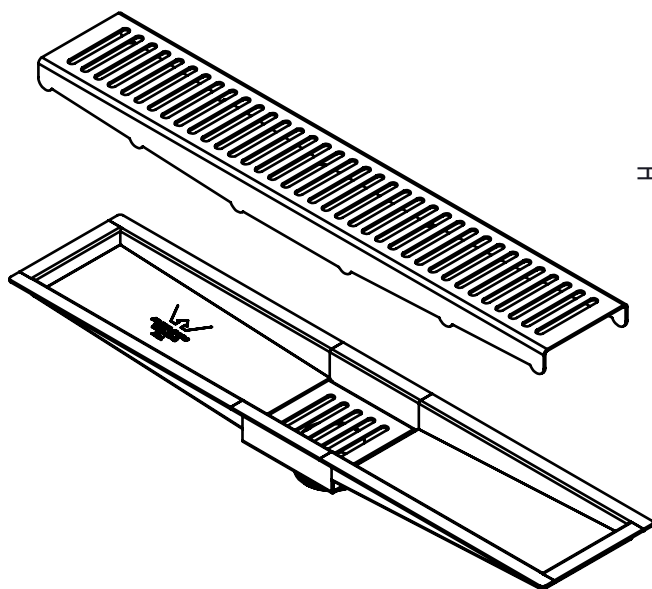
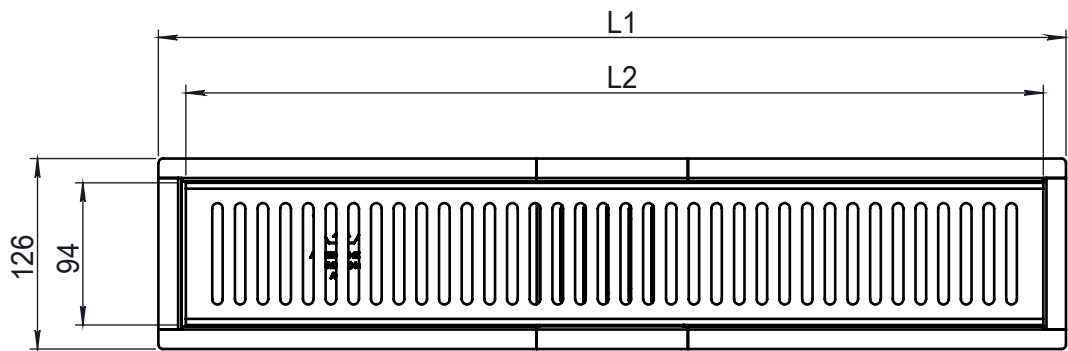
DESIGNED	LUCKY	DATE	2012/9/12
DRAWN	LUCKY	SHEET SIZE	A4
CHECKED	JINF	SCALE	1:3

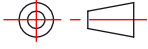
THIS DRAWING IS COPYRIGHT. NO PART OF THIS DRAWING MAY BE REPRODUCED WITHOUT WRITTEN PERMISSION OF THE AUTHOR.

<b>TCI SHOWER CHANNEL</b>		PROJECT No.	SHEET No.	REVISION
		TCI-SC-300	1 OF 1	

Part No.	L1(mm)	L2(mm)	L3(mm)	H(mm)
TCI-SC-600	600	567	574	41
TCI-SC-800	800	767	774	41
TCI-SC-900	900	867	874	41
TCI-SC-1000	1000	967	974	41
TCI-SC-1200	1200	1167	1174	41
TCI-SC-1500	1500	1467	1474	53
TCI-SC-1800	1800	1767	1774	53

REV No.	REVISION NOTE	DATE



  
**TOLERANCES TYP.**  
 LINEAR +/- 0.5mm  
 ANGULAR +/- 0.5°  
 ALL DIMENSIONS IN MILLIMETRES  
 UNLESS NOTED OTHERWISE.  
 DO NOT SCALE FOR CONSTRUCTION PURPOSES.

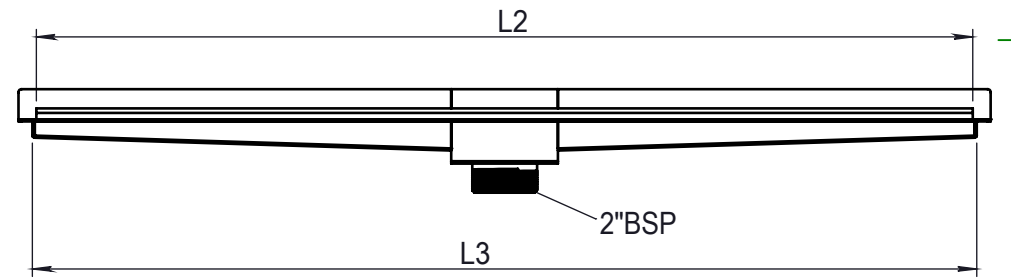
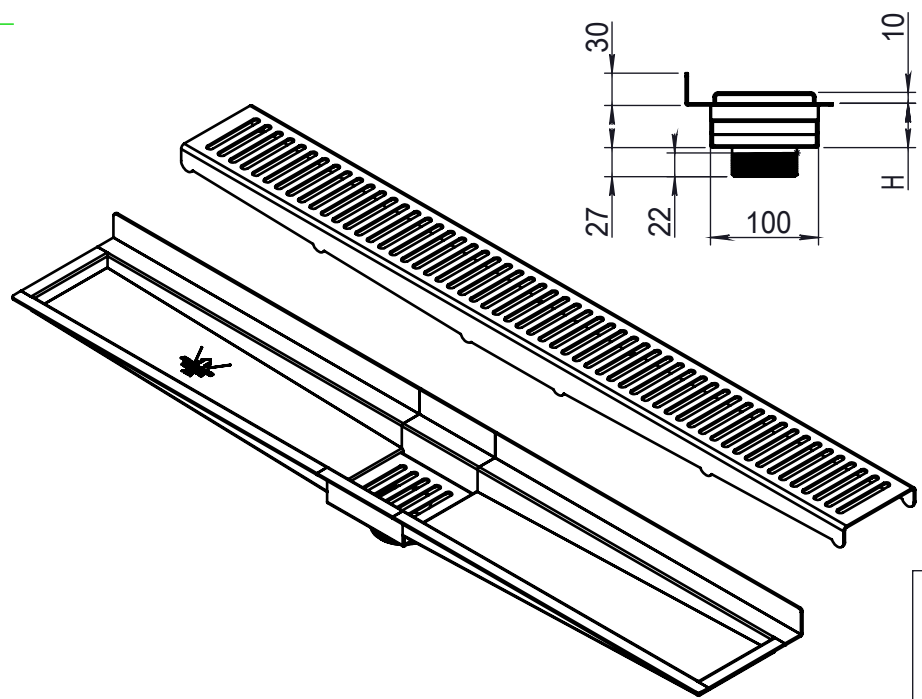
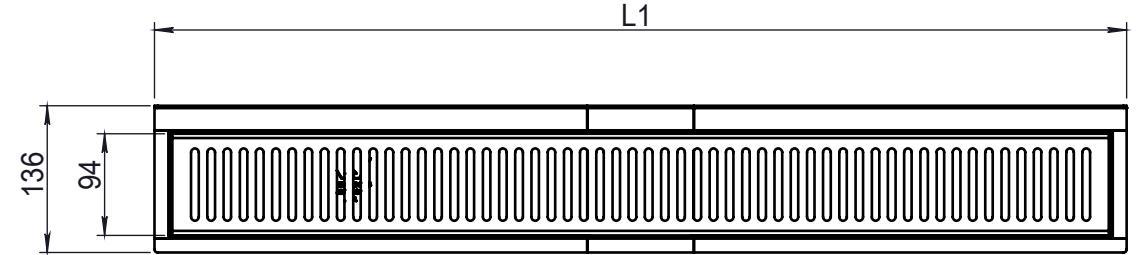
  
**13 SLATER PDE KEILOR EAST VIC3033**  
 Tel.(03)9336 0155 Fax.(03)9336 0156

DESIGNED LUCKY	DATE 2012/8/24
DRAWN LUCKY	SHEET SIZE A4
CHECKED JINF	SCALE 1:6

<b>TCI SHOWER CHANNEL</b>	
PROJECT No. <b>TCI-SC-</b>	SHEET No. 1 OF 1
REVISION	

Part No.	L1(mm)	L2(mm)	L3(MM)	H(mm)
TCI-SC-800-DB	800	767	774	41
TCI-SC-900-DB	900	867	874	41
TCI-SC-1000-DB	1000	967	974	41
TCI-SC-1200-DB	1200	1167	1174	41
TCI-SC-1500-DB	1500	1467	1474	53
TCI-SC-1800-DB	1800	1767	1774	53

REV No.	REVISION NOTE	DATE



**TOLERANCES TYP.**  
 LINEAR +/- 0.5mm  
 ANGULAR +/- 0.5°  
 ALL DIMENSIONS IN MILLIMETRES  
 UNLESS NOTED OTHERWISE.  
 DO NOT SCALE FOR CONSTRUCTION PURPOSES.

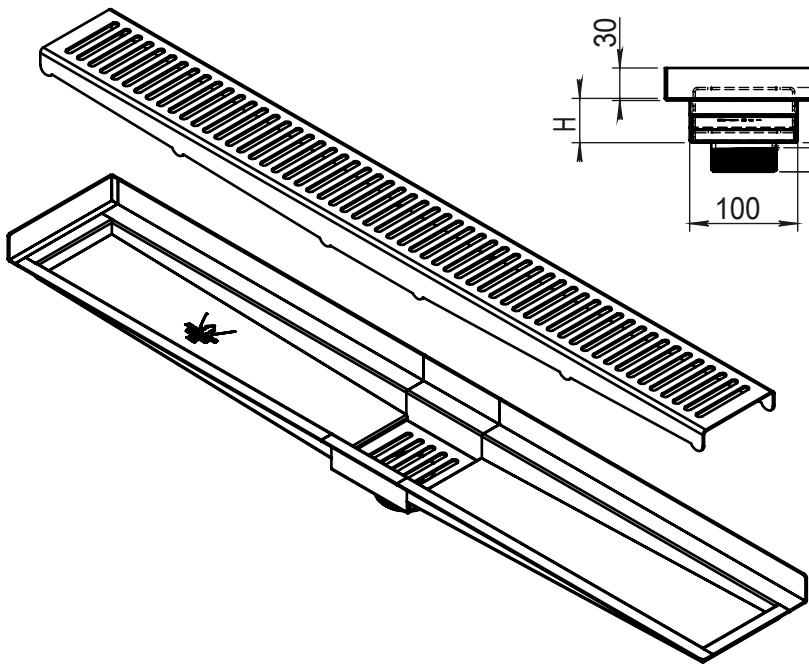
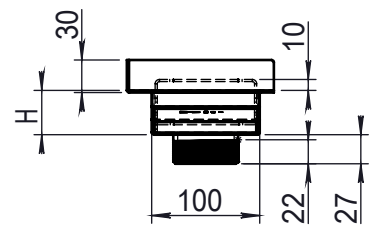
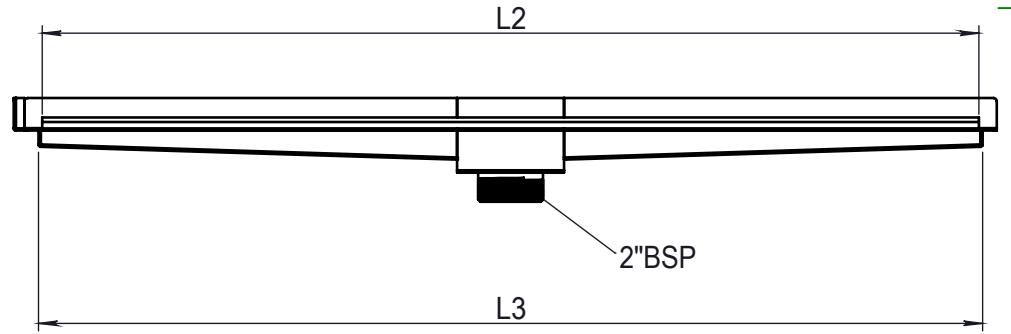
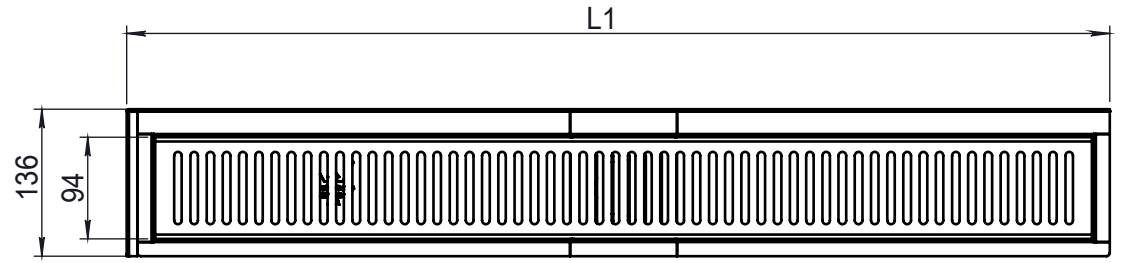
**tcifasteners**  
 13 SLATER PDE KEILOR EAST VIC3033  
 Tel.(03)9336 0155 Fax.(03)9336 0156

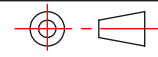
DESIGNED	LUCKY	DATE	2012/10/15
DRAWN	LUCKY	SHEET SIZE	A4
CHECKED	JINF	SCALE	1:7

<b>TCI SHOWER CHANNEL</b>		
PROJECT No.	SHEET No.	REVISION
TCI-SC-DB	1 OF 1	

Part No.	L1(mm)	L2(mm)	L3(mm)	H(mm)
TCI-SC-800-DBL	810	767	774	41
TCI-SC-900-DBL	910	867	874	41
TCI-SC-1000-DBL	1010	967	974	41
TCI-SC-1200-DBL	1210	1167	1174	41
TCI-SC-1500-DBL	1510	1467	1474 </td <td>53</td>	53
TCI-SC-1800-DBL	1810	1767	1774	53

REV No.	REVISION NOTE	DATE



  
**TOLERANCES TYP.**  
 LINEAR +/- 0.5mm  
 ANGULAR +/- 0.5°  
 ALL DIMENSIONS IN MILLIMETRES  
 UNLESS NOTED OTHERWISE.  
 DO NOT SCALE FOR CONSTRUCTION  
 PURPOSES.

  
**13 SLATER PDE KEILOR EAST VIC3033**  
 Tel.(03)9336 0155 Fax.(03)9336 0156

DESIGNED LUCKY	DATE 2012/10/15
DRAWN LUCKY	SHEET SIZE A4
CHECKED JINF	SCALE 1:7

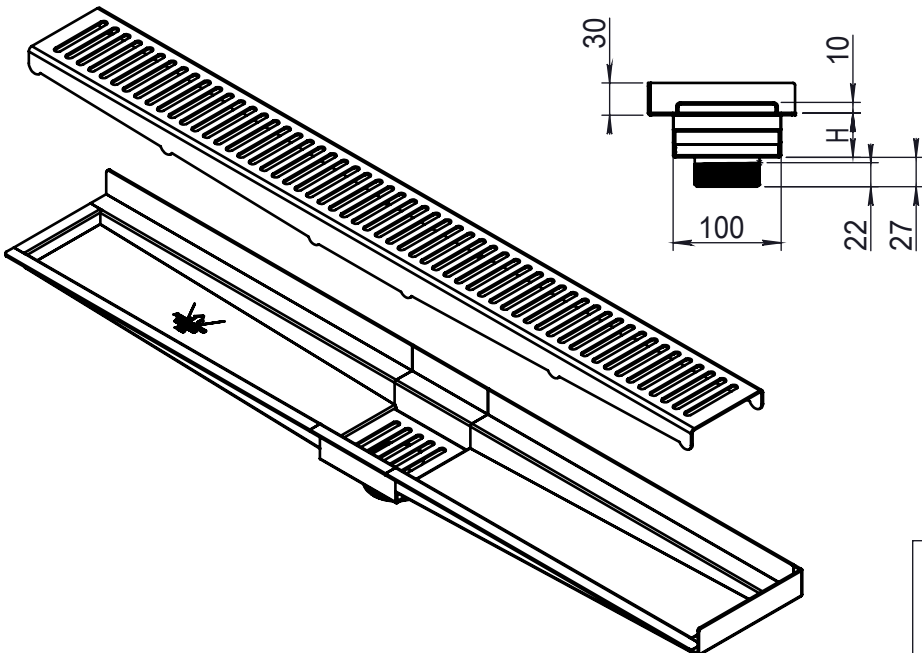
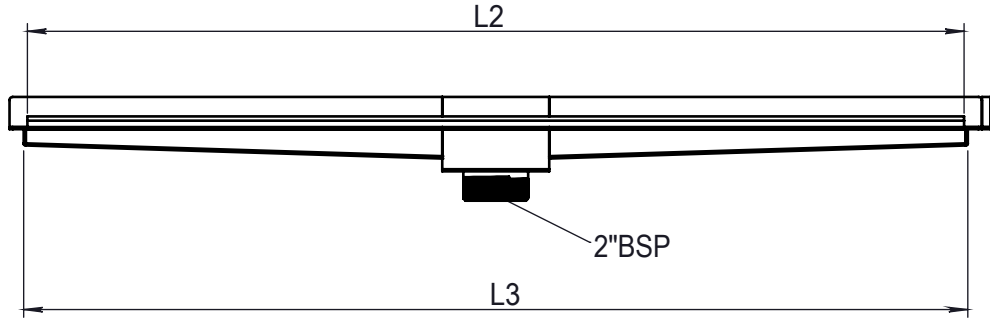
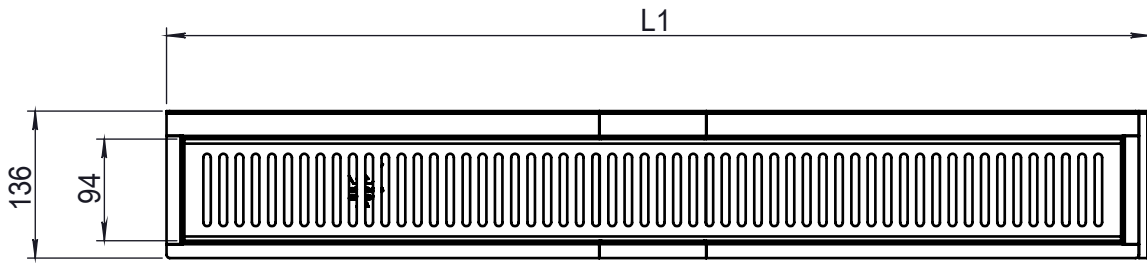
<b>TCI SHOWER CHANNEL</b>	
PROJECT No. <b>TCI-SC-DBL</b>	SHEET No. 1 OF 1
REVISION	

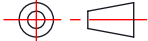
A  
B  
C  
D

A  
B  
C  
D

Part No.	L1(mm)	L2(mm)	L3(mm)	H(mm)
TCI-SC-800-DBR	810	767	774	41
TCI-SC-900-DBR	910	867	874	41
TCI-SC-1000-DBR	1010	967	974	41
TCI-SC-1200-DBR	1210	1167	1174	41
TCI-SC-1500-DBR	1510	1467	1474	53
TCI-SC-1800-DBR	1810	1767	1774	53

REV No.	REVISION NOTE	DATE



  
**TOLERANCES TYP.**  
 LINEAR +/- 0.5mm  
 ANGULAR +/- 0.5°  
 ALL DIMENSIONS IN MILLIMETRES  
 UNLESS NOTED OTHERWISE.  
 DO NOT SCALE FOR CONSTRUCTION PURPOSES.

  
 13 SLATER PDE KEILOR EAST VIC3033  
 Tel. (03)9336 0155 Fax. (03)9336 0156

DESIGNED LUCKY	DATE 2012/10/15
DRAWN LUCKY	SHEET SIZE A4
CHECKED JINF	SCALE 1:7

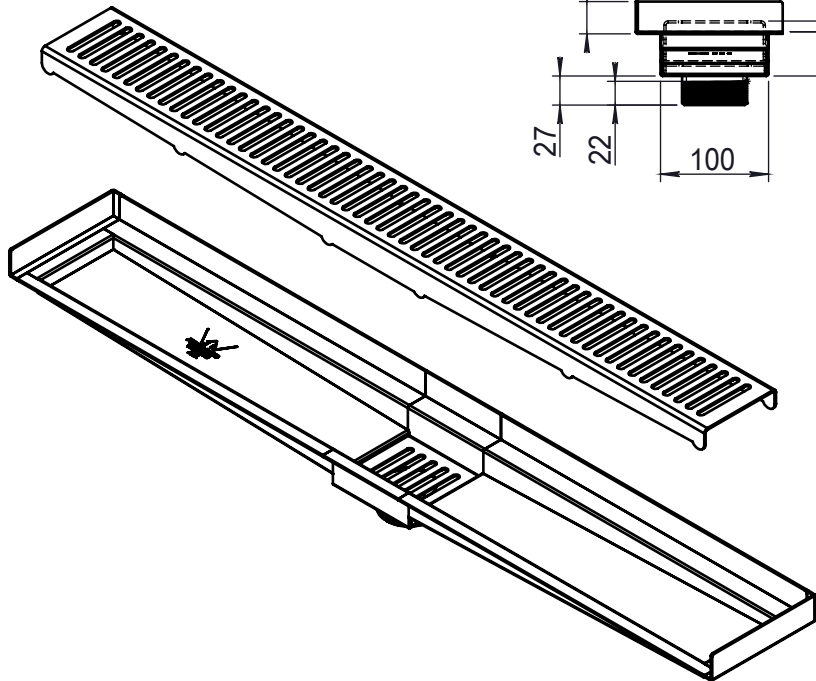
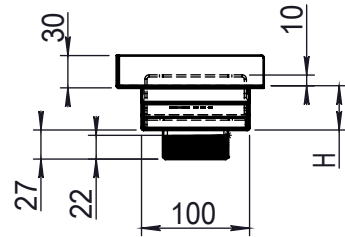
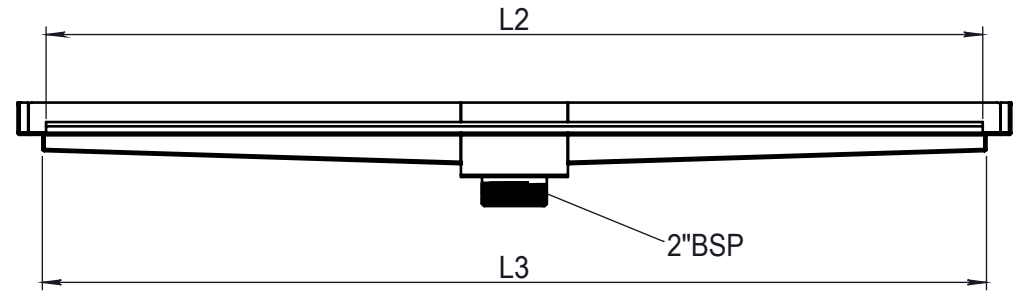
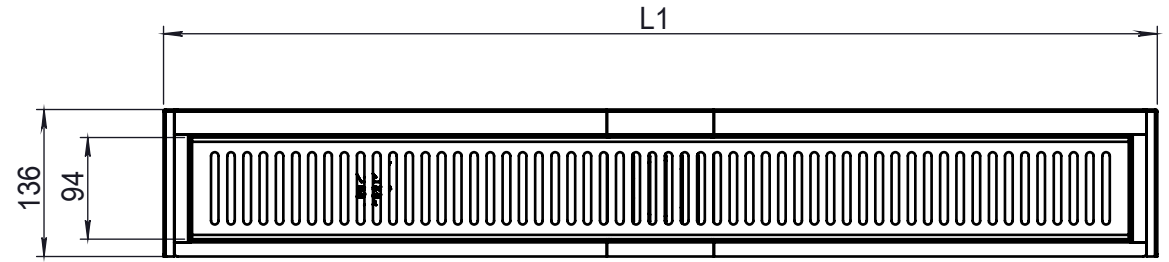
<b>TCI SHOWER CHANNEL</b>		
PROJECT No. <b>TCI-SC-DBR</b>	SHEET No. 1 OF 1	REVISION

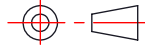
A  
B  
C  
D

A  
B  
C  
D

Part No.	L1(mm)	L2(mm)	L3(mm)	H(mm)
TCI-SC-800-DBRL	820	767	774	41
TCI-SC-900-DBRL	920	867	874	41
TCI-SC-1000-DBRL	1020	967	974	41
TCI-SC-1200-DBRL	1120	1167	1174	41
TCI-SC-1500-DBRL	1520	1467	1474	53
TCI-SC-1800-DBRL	1820	1767	1774	53

REV No.	REVISION NOTE	DATE



  
**TOLERANCES TYP.**  
 LINEAR +/- 0.5mm  
 ANGULAR +/- 0.5°  
 ALL DIMENSIONS IN MILLIMETRES  
 UNLESS NOTED OTHERWISE.  
 DO NOT SCALE FOR CONSTRUCTION  
 PURPOSES.



13 SLATER PDE KEILOR EAST VIC3033  
 Tel. (03)9336 0155 Fax. (03)9336 0156

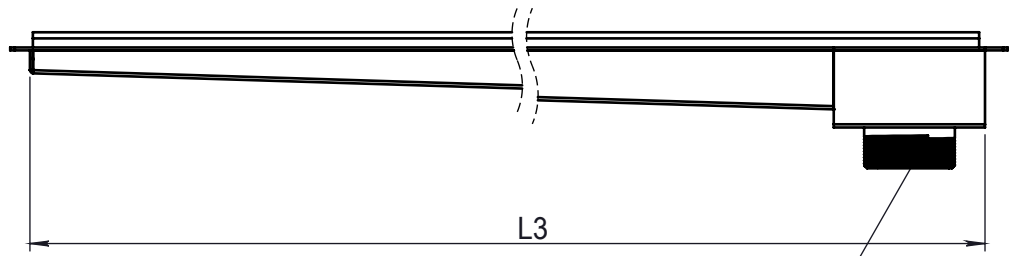
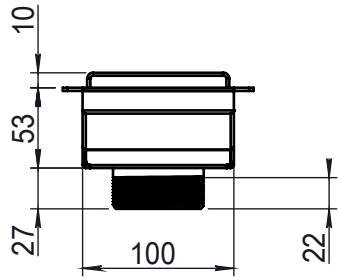
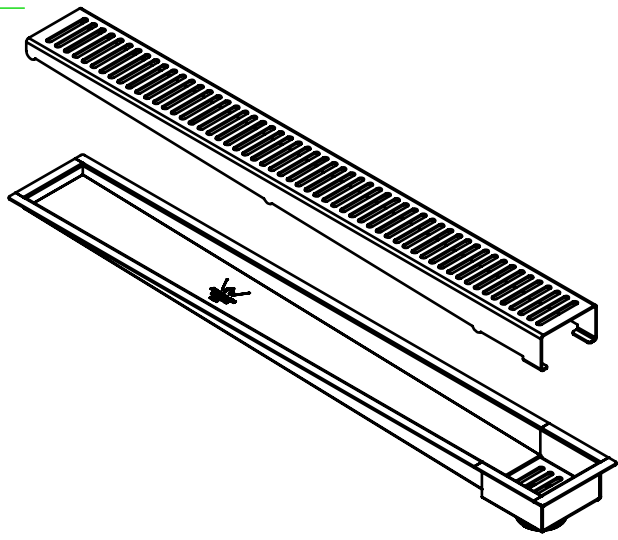
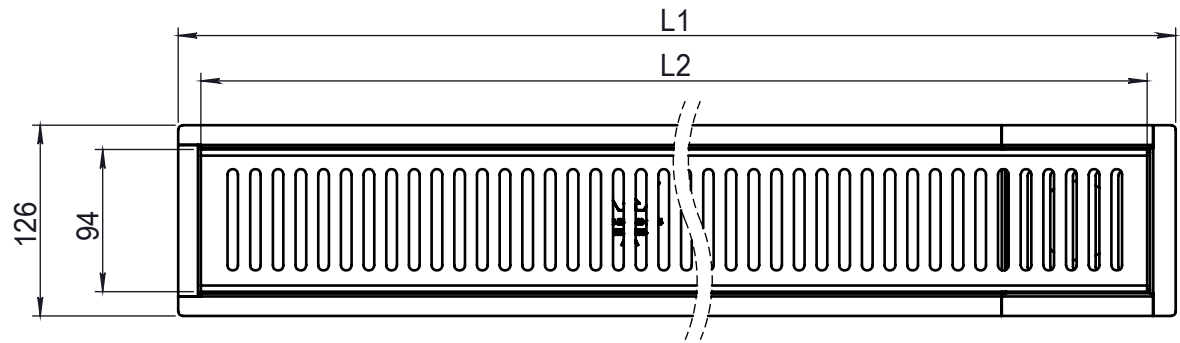
DESIGNED	LUCKY	DATE	2012/10/15
DRAWN	LUCKY	SHEET SIZE	A4
CHECKED	JINF	SCALE	1:7

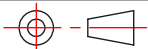
<b>TCI SHOWER CHANNEL</b>		
PROJECT No.	SHEET No.	REVISION
TCI-SC-DBRL	1 OF 1	

THIS DRAWING IS COPYRIGHT. NO PART OF THIS DRAWING MAY BE REPRODUCED WITHOUT WRITTEN PERMISSION OF THE AUTHOR.

Part No.	L1(mm)	L2(mm)	L3(mm)
TCI-SC-900-E	900	866	873
TCI-SC-1200-E	1200	1166	1173

REV No.	REVISION NOTE	DATE



  
**TOLERANCES TYP.**  
 LINEAR +/- 0.5mm  
 ANGULAR +/- 0.5°  
 ALL DIMENSIONS IN MILLIMETRES  
 UNLESS NOTED OTHERWISE.  
 DO NOT SCALE FOR CONSTRUCTION PURPOSES.

  
**13 SLATER PDE KEILOR EAST VIC3033**  
 Tel.(03)9336 0155 Fax.(03)9336 0156

DESIGNED	LUCKY	DATE	2012/8/28
DRAWN	LUCKY	SHEET SIZE	A4
CHECKED	JINF	SCALE	1:4

TCI SHOWER CHANNEL		
PROJECT No.	SHEET No.	REVISION
TCI-SC-	1 OF 1	

A  
B  
C  
D

A  
B  
C  
D

1 2 3 4 5 6